


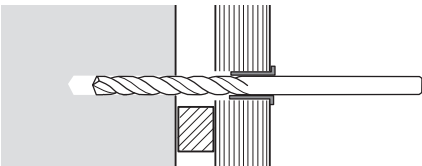


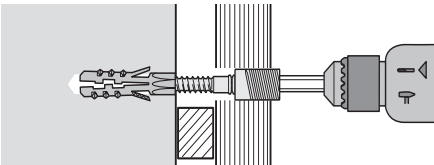
ADJUSTABLE FRAME SCREW

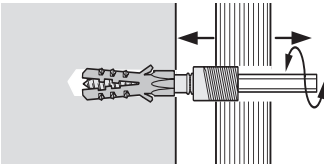
For fixing of door and window frames

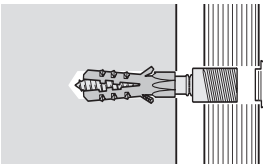
Installation:

- 

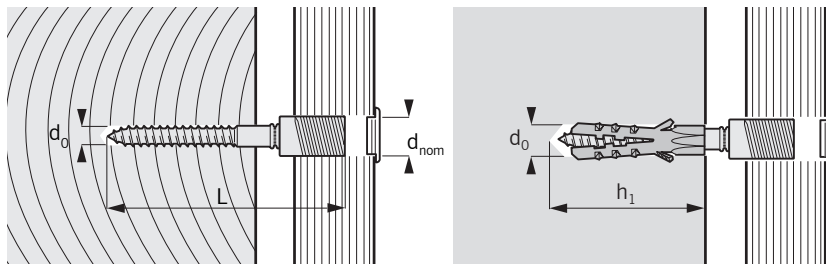
1 Place door or window frame using scotchings and pre-drill through the frame with a 14 mm drill
- 

2 Insert the centering-sleeve into the 14 mm hole. Drill through the sleeve and into the base material - securing that the hole in frame and base material is aligned.
- 

3 Place Super 10x50 on the adjustable Frame Screw and hammer into drilled hole in base material. Screw in the Adjustable Frame Screw using the Combination Key
- 

4 Remove scotchings after Adjustable Frame Screws are installed. The frame can now be adjusted using the Combination Key
- 

5 Hide drill hole in frame with a 14 mm CoverCap, or 18 mm FastCap covercap in suitable color

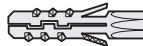











Type	Dimensions		Fixing			Load Capacities
	d_{nom}	L	d_0 wood	d_0 concrete	h_1	N_{Rd}
Expandet Adjustable Frame Screw	Outside diameter of anchor mm	Anchor length mm	Drill hole diameter in wood mm	Drill hole diameter in concrete mm	Depth of drilled hole (Min.) mm	Design resistance tension kN*
14x50	14	50*	5	10	40	2,00
14x70	14	70	5	10	60	2,00
14x90	14	90	5	10	85	2,00

* For wood only.
 ♦ Design resistance for tension is valid in concrete C20/25.
 Partial safety factor for material (γ_m) is included. Partial safety factor for actions (γ_f) must be applied according to national building code.

Important: See Expandet's "Principles for fastening" for general information on fastening as well as information on limited liability. (Can be downloaded at www.expandet.com)

Accessories:

- Expandet Super 10 mm for solid brick and concrete 
- Drill 14 mm 
- Center drill 14/5 mm 
- 5 mm Center Drill for wood 
- 10 mm Drill for solid brick and concrete 
- Combination Drill 14/10 mm SDS+ 
- Hexagon Key for drill 14 mm 
- Centering Sleeve for 5 and 10 mm 
- Combination Key for fixing and adjusting of Expandet Adjustable Frame Screw 
- Covercaps 

Advantages:

Adjustable fixing.
 At repeated installations use of Combination Drill is an advantage.

Materials:

Expandet Adjustable Frame Screw is supplied with head in aluzinc and screw in steel.



EXPANDET SCREW ANCHORS A/S
 Svendebuen 2-6
 P.O. Box 59
 DK-3230 Græsted
 Denmark

Telephone: +45 70 22 79 79
 Telefax: +45 70 22 79 89

Version 06.012

www.expandet.com
expandet@expandet.dk

Graphic: Vedkom /Expandet
 ©Expandet Screw Anchors A/S, 2006
 All rights reserved