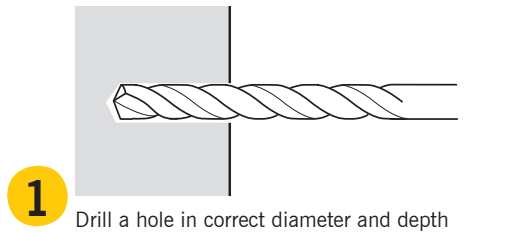




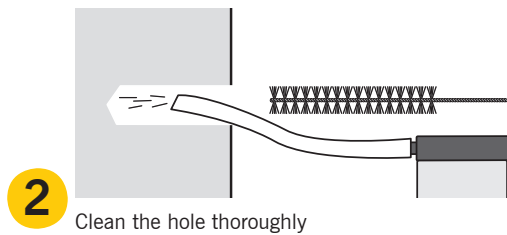
BRASS ANCHOR

Installation:

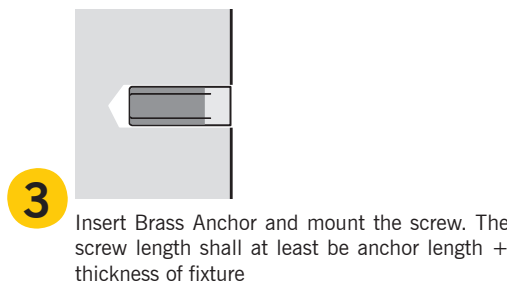
For mounting of metric screws, bolts, threaded rods etc. in solid brick, concrete, sand lime brick and wood



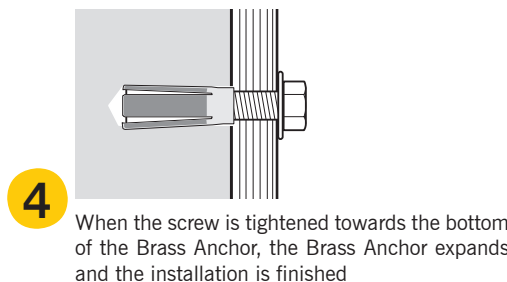
Drill a hole in correct diameter and depth



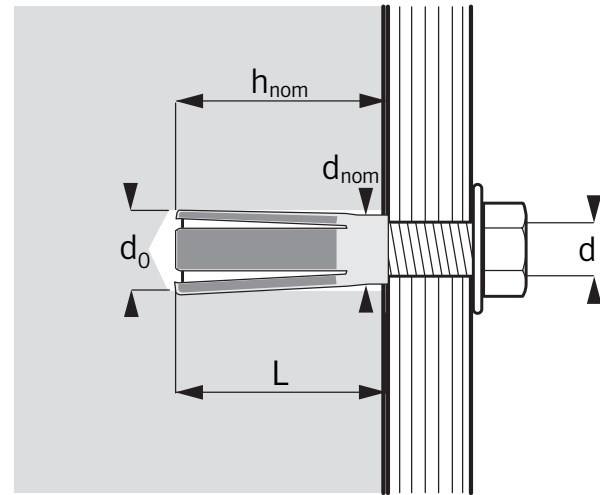
Clean the hole thoroughly



Insert Brass Anchor and mount the screw. The screw length shall at least be anchor length + thickness of fixture



When the screw is tightened towards the bottom of the Brass Anchor, the Brass Anchor expands and the installation is finished



Type	Dimensions			Fixing			Load Capacities	
	d	L	d _{nom}	d ₀	h _{nom}	L _{sdmax}	N _{Rd}	V _{Rd}
Expandet Brass Anchor	Bolt diameter mm	Anchor length mm	Outside diameter of anchor mm	Drill hole diameter mm	Embedment depth (Min.) mm	Screw in depth mm	Design resistance tension shear kN* kN*	
4 x 16	M 4	16	5	5	18	16	0,30	0,30
5 x 20	M 5	20	6	6	22	20	0,40	0,40
6 x 24	M 6	24	8	8	27	24	0,80	0,80
8 x 30	M 8	30	10	10	35	30	1,50	1,50
10 x 34	M10	34	12	12	36	34	2,10	2,10
12 x 40	M12	40	16	16	45	40	3,00	3,00
16 x 40	M16	44	20	20	49	44	4,00	4,00

* Design resistance is valid for a single anchor in concrete C20/25 not influenced by edge distance and/or spacing
Safety factor is included (≥ 3). 1 kN ≈ 100 kg.

Important: See Expandet's "Principles for fastening" for general information on fastening as well as information on limited liability. (Can be downloaded at www.expandet.com)

Advantages:

- Short embedment depth.
- Corrosion resistant.
- Suitable for fixing i all solid materials - also in wood.
- Useable together with all screw-types with metric thread.
- Fire resistant

Materials:

Expandet Brass Anchor is produced in brass (MS-58).



EXPANDET SCREW ANCHORS A/S
Svendebuen 2-6
P.O. Box 59
DK-3230 Græsted
Denmark

Telephone: +45 70 22 79 79
Telefax: +45 70 22 79 89

Version 06.012

www.expandet.com
expandet@expandet.dk

Graphic: Vedkom /Expandet
©Expandet Screw Anchors A/S, 2006
All rights reserved