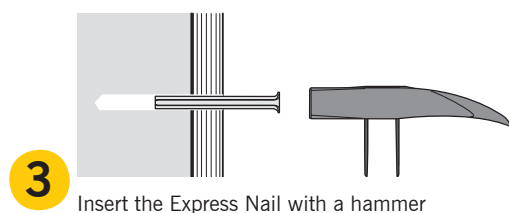
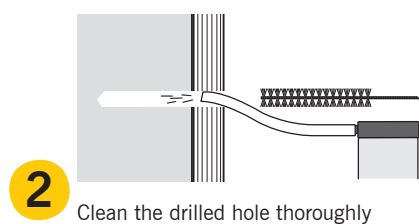
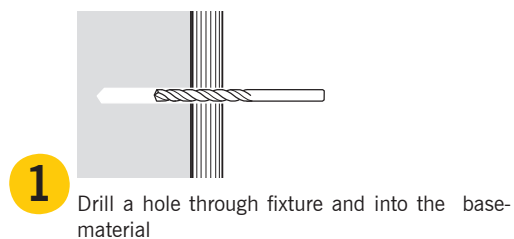


**EXPRESS NAIL**

For quick fixing  
of wooden objects  
in solid brick and concrete

**Installation:****Advantages:**

- Quick fixing.
- Easy to countersink.
- Fire resistant fixing.

**Materials:**

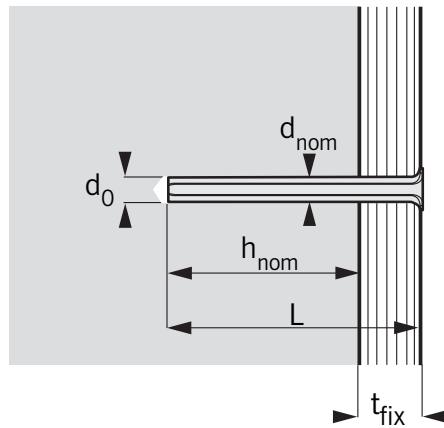
- Expandet Express Nail is produced in hardened spring steel.
- Zinc plated min. 5  $\mu\text{m}$ .

**Further information:**

See overleaf



## EXPRESS NAIL



Type	Dimensions			Fixing		Load Capacities			
	$d_{nom}$	L	$t_{fix}$	$d_0$	$h_{nom}$	$N_{rec}$	$V_{rec}$	$N_{rec}$	$V_{rec}$
Expandet Express Nail	Outside diameter of anchor mm	Anchor length mm	Thickness of fixture (Max.) mm	Drill hole diameter mm	Anchor embedment depth mm	Concrete 25 N/mm <sup>2</sup> Recommended tension load kN <sup>♦</sup>		Solid brick 15 N/mm <sup>2</sup> Recommended tension load kN <sup>◇</sup>	
							Recommended shear load kN <sup>♦</sup>		Recommended shear load kN <sup>◇</sup>
5 x 26	5	26	3	5	20	0,30	0,40	-	-
5 x 50	5	50	30	5	20	0,30	0,40	-	-
6 x 30	6	30	3	6	25	0,70	1,00	0,50	0,80
6 x 60	6	60	30	6	30	0,70	1,00	0,50	0,80
6 x 80	6	80	50	6	30	0,70	1,00	0,50	0,80
6 x 100	6	100	70	6	30	0,70	1,00	0,50	0,80
8 x 70	8	70	30	8	40	1,00	1,30	0,80	1,10
8 x 90	8	90	50	8	40	1,00	1,30	0,80	1,10
8 x 110	8	110	70	8	40	1,00	1,30	0,80	1,10
8 x 130	8	130	90	8	40	1,00	1,30	0,80	1,10

♦ Recommended load capacity is maximum in concrete C20/25.

◇ Recommended load capacity is maximum in solid brick with a compressive strength of minimum 15N/mm<sup>2</sup>.

Safety factor is included ( $\geq 3$ ). 1 kN  $\approx$  100 kg.

**Important:** See Expandet's "Principles for fastening" for general information on fastening as well as information on limited liability.  
(Can be downloaded at [www.expandet.com](http://www.expandet.com))

EXPANDET SCREW ANCHORS A/S  
Svendebuen 2-6  
P.O. Box 59  
DK-3230 Græsted  
Denmark

Telephone: +45 70 22 79 79  
Telefax: +45 70 22 79 89

Version 06.012

www.expandet.com  
expandet@expandet.dk

Graphic: Vedkom/Expandet  
©Expandet Screw Anchors A/S, 2006  
All rights reserved