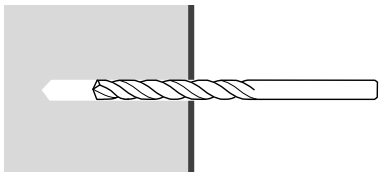
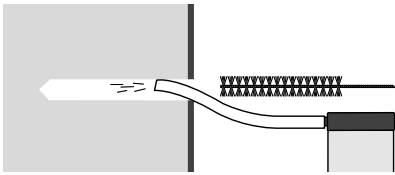
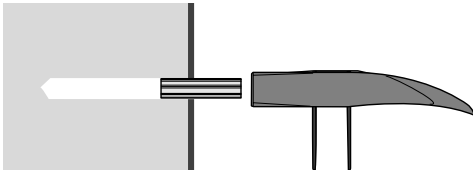


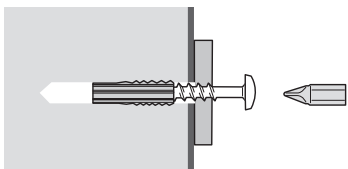
For fixing  
in solid brick and concrete

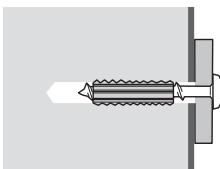
**Installation:**

- 

**1** Drill a hole with correct diameter and depth
- 

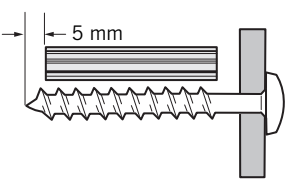
**2** Clean the drilled hole thoroughly
- 

**3** Hammer the Wallplug into the the wall - ensure that the Wallplug is inserted below the surface (diameter of Wallplug)
- 

**4** Use screw size as recommended. When fastened, the plug expands into the cavities of the drilled hole and forms barbs of high strength on the total surface of the Wallplug
- 

**5** The installation is finished

**note** Always use a screw which is min. 5 mm longer than the inserted wallplug + the fixing-object.




**Advantages:**

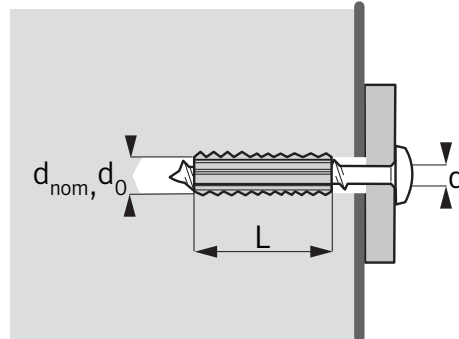
- Expansion on the total surface and length of the Wallplug.
- The three external fins prevent rotation.
- The profile ensures self-centering of the screw during its passage into the Wallplug.
- High tensile loads in concrete and solid brick.
- The Wallplug protects the screw against corrosion.

**Further information:**

See overleaf.



## WALLPLUG



Type	Dimensions			Fixing	Load Capacities
	$d_{nom}$	L	d Wood & Chipboard	$d_0$	$N_{rec}$
Expandet Wallplug	Outside diameter of anchor mm	Anchor length mm	Screw diameter mm	Drill hole diameter mm	Recommended tension load kN*
Yellow 4 x 25	4	25	2,5-3,0	4	0,20
White 5 x 25	5	25	3,0-4,0	5	0,90
White 5 x 35	5	35	3,0-4,0	5	1,20
Red 6 x 25	6	25	3,5-5,0	6	1,10
Red 6 x 35	6	35	3,5-5,0	6	1,30
Green 7 x 25	7	25	4,5-5,5	7	1,20
Green 7 x 32	7	32	4,5-5,5	7	1,50
Green 7 x 35	7	35	4,5-5,5	7	1,75
Green 7 x 50	7	50	4,5-5,5	7	2,50
Blue 8 x 25	8	25	5,0-6,0	8	1,45
Blue 8 x 35	8	35	5,0-6,0	8	2,00
Blue 8 x 50	8	50	5,0-6,0	8	2,65
Orange 10 x 35	10	35	8	10	1,80
Orange 10 x 50	10	50	8	10	2,60
Orange 10 x 60	10	60	8	10	2,90
Grey 12 x 50	12	50	10	12	2,55
Grey 12 x 60	12	60	10	12	6,60
Grey 12 x 75	12	75	10	12	7,50
Black 14 x 60	14	60	12	14	6,75
Black 14 x 90	14	90	12	14	7,50

\* Recommended load is maximum in concrete 25 N/mm<sup>2</sup> with largest recommended wood screw.

Safety factor is included ( $\geq 3$ ). 1 kN  $\approx$  100 kg.

**Important:** See Expandet's "Principles for fastening" for general information on fastening as well as information on limited liability. (Can be downloaded at [www.expandet.com](http://www.expandet.com))



EXPANDET SCREW ANCHORS A/S  
Svendebuen 2-6  
P.O. Box 59  
DK-3230 Græsted  
Denmark

Telephone: +45 70 22 79 79  
Telefax: +45 70 22 79 89

Version 06.012

[www.expandet.com](http://www.expandet.com)  
[expandet@expandet.dk](mailto:expandet@expandet.dk)

Graphic: Vedkom /Expandet  
©Expandet Screw Anchors A/S, 2006  
All rights reserved