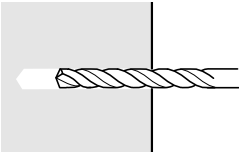
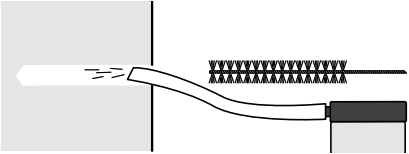


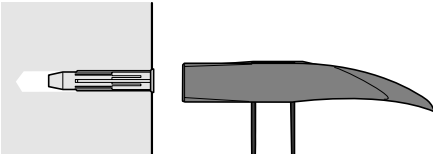


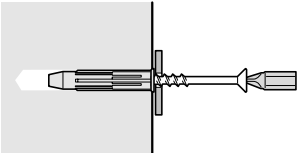
Installation:

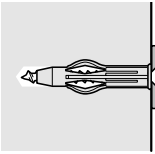
For fixing with chipboard screws in aerated concrete, breeze and porous materials

- 

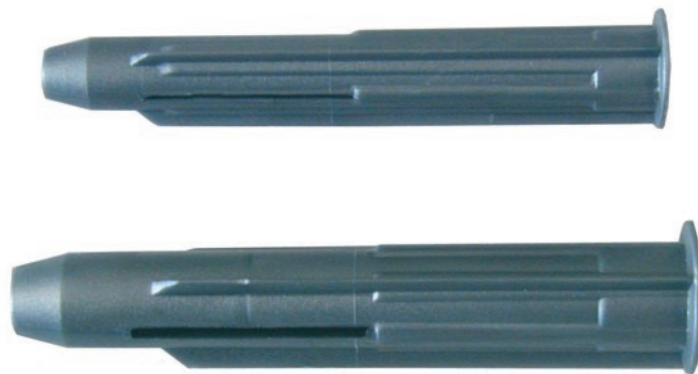
1 Drill a hole with correct diameter and depth
- 

2 Clean the drilled hole thoroughly
- 

3 Insert the plug using a hammer
- 

4 Use recommended screw. When being tightened the plug will expand in the porous material
- 

5 The installation is finished



 **Advantages:**

Suitable especially for walls with plaster due to the long neck.

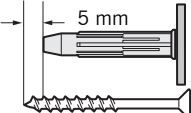
 **Materials:**

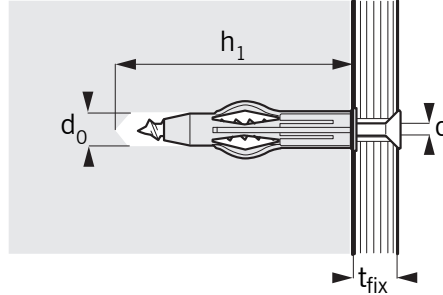
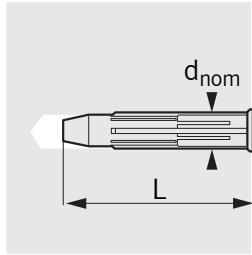
Expandet Special is made of Nylon (PA6). Withstands temperatures from -40°C til +80°C

 **Further information:**

See overleaf

note Always use a screw which is 3 mm longer than the plug + fixture to be fixed, as the screw has to reach the plug end and draw it backwards to form a knot deep in the drilled hole





Type	Dimensions			Fixing		Load Capacities
	d_{nom}	L	d	d_0	h_1	F_{rec}
Expandet Special	Outside diameter of anchor mm	Anchor length mm	Screw diameter mm	Drill hole diameter mm	Depth of drill hole (Min.) mm	Recommended load kN*
6 x 50	6	50	4,0-5,0	6	55	0,30
8 x 55	8	55	5,5-6,0	8	60	0,45

- * Recommended loads are maximum for a single anchor in aerated concrete PP4 independent of load direction together with largest recommended screw and without influence of edge and / or spacing.
Edge distance ≥ 100 mm.

Safety factor is included (≥ 3). 1 kN \approx 100 kg.

Important: See Expandet's "Principles for fastening" for general information on fastening as well as information on limited liability.
(Can be downloaded at www.expandet.com)