

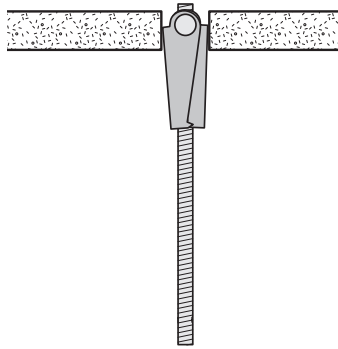


# SPRING TOGGLE ANCHOR

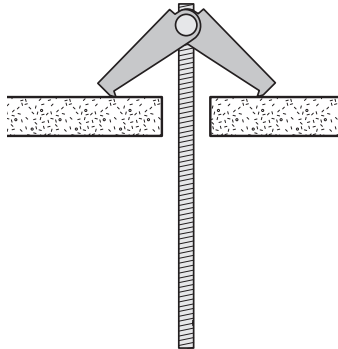
## Installation:

For light duty fixing  
in plasterboards and other materials  
with cavities

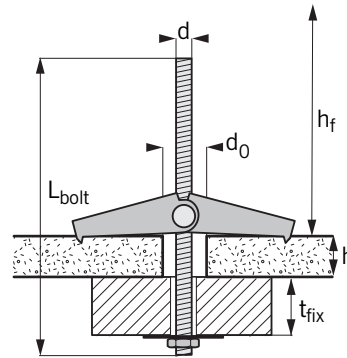
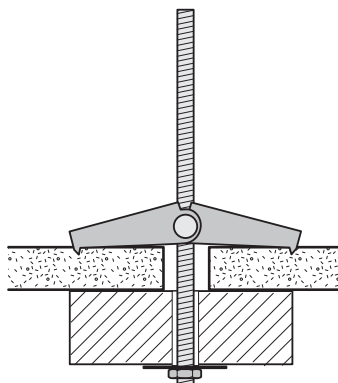
**1** Drill a hole through the material. Use HSS-drill in plasterboards and other porous materials. Insert the Spring Toggle Anchor through the drilled hole. The toggle-wings will jump into place in the cavity



**2** Place the fixture and tighten the nut. Avoid over-tightening the Spring Toggle Anchor to prevent damaging the board



**3** The installation is finished



Type	Dimensions			Fixing		Load Capacities
	d	L <sub>bolt</sub>	h+t <sub>fix</sub>	d <sub>o</sub>	h <sub>f</sub>	N <sub>rec</sub>
Expandet Spring Toggle Anchor mm	Bolt diameter mm	Screw length mm	Thickness of board and fixture (Max.) mm	Drill diameter mm	Cavity (Min.) mm	<b>Recommended tension load</b> kN*
With nut and washer						
3 x 85	M3	85	60	12	28	0,20
4 x 90	M4	90	65	14	35	0,25
With hook						
3 x 70	M3	70	30	12	28	0,03
4 x 70	M4	70	30	14	35	0,10
With cap nut						
3 x 85	M3	85	60	12	28	0,20
4 x 90	M4	90	65	14	35	0,25

\* Loads are recommended maximum in plasterboards with 300 mm spacing between each Spring Toggle Anchor. Safety factor is included ( $\geq 3$ ). 1 kN  $\approx$  100 kg.  
**Note:** Is the recommended spacing not applied the load-capacity will be reduced.  
**Important:** See Expandet's "Principles for fastening" for general information on fastening as well as information on limited liability. (Can be downloaded at [www.expandet.com](http://www.expandet.com))

## Advantages:

Suitable in all materials with cavities.  
All metric threaded screws can be used.  
Fire resistant.

## Materials:

Expandet Spring Toggle Anchor is zinc plated min. 5  $\mu$ m



EXPANDET SCREW ANCHORS A/S  
Svendebuen 2-6  
P.O. Box 59  
DK-3230 Græsted  
Denmark

Telephone: +45 70 22 79 79  
Telefax: +45 70 22 79 89

Version 06.012

[www.expandet.com](http://www.expandet.com)  
[expandet@expandet.dk](mailto:expandet@expandet.dk)

Graphic: Vedkom /Expandet  
©Expandet Screw Anchors A/S, 2006  
All rights reserved