

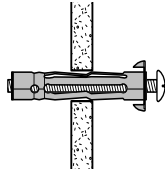


**METAL CAVITY ANCHOR**

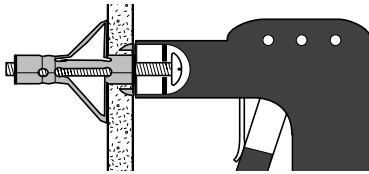
**Installation:**

For fixing in plasterboards, chipboards, gypsum fiber boards and other walls with cavities

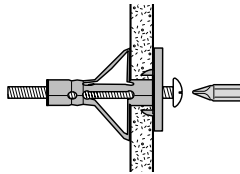
**1** Drill a hole through the board material, and insert the Metal Cavity Anchor



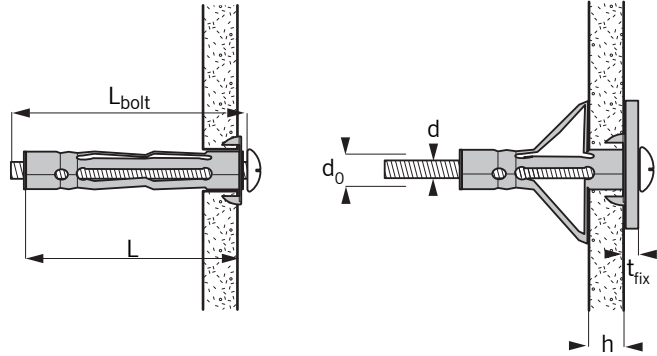
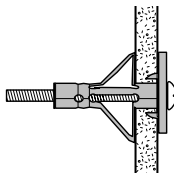
**2** Place the installing tool around the screw and pull the anchor up against the wall



**3** Place the object and tighten the screw. Avoid over-tightening screw to prevent damaging the board



**4** The installation is finished



Type	Dimensions				Fixing		Load Capacities	
	d	L	L <sub>bolt</sub>	t <sub>fix</sub>	h	d <sub>0</sub>	N <sub>rec</sub>	V <sub>rec</sub>
Expandet Metal Cavity Anchor	Bolt diameter mm	Anchor length mm	Screw length mm	Fitting thickness (Max.) mm	Thickness of board mm	Drill diameter mm	Recommended tension load kN*	Recommended shear load kN*
4 x 32	M4	32	37	16	5-14	8	0,15	0,20
4 x 45	M4	45	49	16	18-26	8	0,15	0,40
5 x 52	M5	52	57	24	3-16	12	0,18	0,60
5 x 65	M5	65	70	24	14-32	12	0,20	0,50
5 x 80*	M5	80	85	26	32-45	12	0,20	0,50
6 x 52	M6	52	57	24	3-16	13	0,18	0,30
6 x 65	M6	65	70	26	14-32	13	0,20	0,50
6 x 80*	M6	80	85	26	32-45	13	0,30	0,50
8 x 65	M8	65	70	26	14-32	13	0,30	0,50

\* Useable in 3 layer plasterboards or 2 layers + 1 tile.  
 • Loads are recommended maximum in plasterboards with 300 mm spacing between each Metal Cavity Anchor. Safety factor is included ( $\geq 3$ ). 1 kN  $\approx$  100 kg.  
**Note:** Is the recommended spacing not applied the load-capacity will be reduced.  
**Important:** See Expandet's "Principles for fastening" for general information on fastening as well as information on limited liability. (Can be downloaded at [www.expandet.com](http://www.expandet.com))

**Advantages:**

- Fire resistant fixing.
- Suitable in all materials with cavities.
- Useable with all metric threaded screws.

**Materials:**

Expandet Metal Cavity Anchor is zinc plated min. 5  $\mu$ m.

**Accessories:**

Installation tool - especially recommended when fixing on hard or smooth surfaces. Always use HSS-drills when fixing in plasterboards



EXPANDET SCREW ANCHORS A/S  
 Svendebuen 2-6  
 P.O. Box 59  
 DK-3230 Græsted  
 Denmark

Telephone: +45 70 22 79 79  
 Telefax: +45 70 22 79 89

Version 06.012

[www.expandet.com](http://www.expandet.com)  
[expandet@expandet.dk](mailto:expandet@expandet.dk)

Graphic: Vedkom /Expandet  
 ©Expandet Screw Anchors A/S, 2006  
 All rights reserved