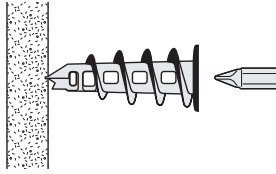




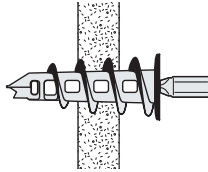
Installation:

For fixing of lightweight objects like sockets, curtain rails etc. in plasterboards

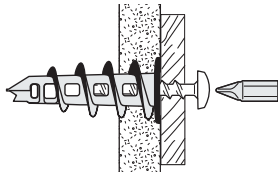
1 Mount Jet-Drive® on screwdriver or bit (poz. 2). Press Jet-Drive® against the wall, where the fixture is wanted



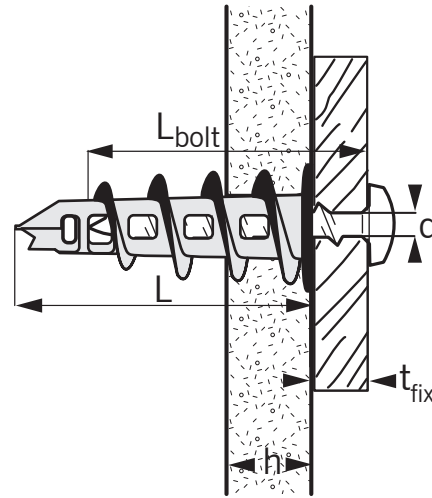
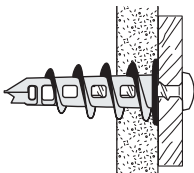
2 Screw Jet-Drive® flush with the wall. Avoid over-tightening



3 Tighten the screw through the fixture and into the Jet-Drive®



4 The installation is finished



Type	Dimensions				Fixing	Load Capacities	
	d	L _{bolt}	L	t _{fix}		h	N _{rec}
Expandet Jet-Drive	Screw diameter mm	Screw length mm	Anchor length mm	Thickness of fixture (Max.) mm	Thickness of board mm	Recommended tension load kN*	Recommended shear load kN*
Jet-Drive® Metal	4-4,5		39		9-26	0,10 (0,14)	0,18
Jet-Drive® Metal*	4,5	30	39	15	9-26	0,10 (0,14)	0,18
Jet-Drive® Nylon*	4,5	30	32	10	9-13	0,10	0,10

* Supplied with screw: 4,5 x 30 mm.
 * Loads are recommended maximum in plasterboards with 100 mm spacing. Numbers in () are only valid for fixing in two layer plasterboard. Safety factor is included (≥ 3). 1 kN ≈ 100 kg.
Note: Is the recommended spacing not applied the load capacity will be reduced.
Important: See Expandet's "Principles for fastening" for general information on fastening as well as information on limited liability. (Can be downloaded at www.expandet.com)

Advantages:

Fast and easy fixing of lightweight objects in plasterboards.
 No pre-drilling.
 Poz. 2 slot in both Jet-Drive® and screw.
 Jet-Drive® Metal is fire resistant.

Materials:

Expandet Jet-Drive® Metal is supplied with or without screw (Poz. 2 slot).
 Expandet Jet-Drive® Nylon is supplied with screw (Poz. 2 slot).
 Withstands temperatures from -40°C to +80°C.
 Expandet Jet-Drive® Metal: Alu-zinc.
 Expandet Jet-Drive® Nylon: Glass fibre reinforced Nylon.
 Screw: Zinc plated min. 5 µm.



EXPANDET SCREW ANCHORS A/S
 Svendebuen 2-6
 P.O. Box 59
 DK-3230 Græsted
 Denmark

Telephone: +45 70 22 79 79
 Telefax: +45 70 22 79 89

Version 06.012

www.expandet.com
expandet@expandet.dk

Graphic: Vedkom / Expandet
 ©Expandet Screw Anchors A/S, 2006
 All rights reserved