

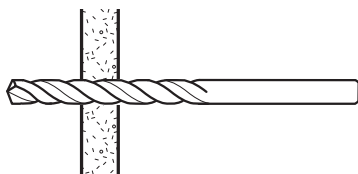


LIGHT ROSETT

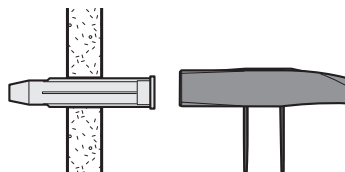
Installation:

For fixing of lightweight objects in plasterboards, gypsum fibre boards, chipboards, and general thin walled cavities

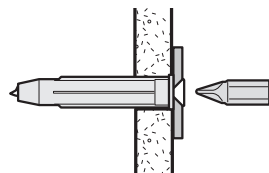
1 Drill a hole through the board with HSS-drill



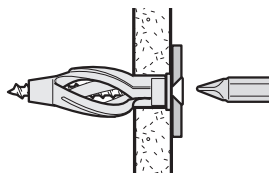
2 Hammer Light Rosett flush with the wall



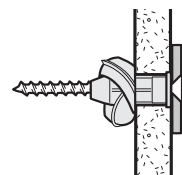
3 Use screw size as recommended



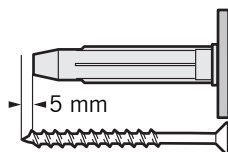
4 When being tightened the screw draws up the plug into a strong knot behind the board (in the cavity)



5 The installation is finished



note Always use a screw which is 3 mm longer than the plug + fixture to be fixed, as the screw has to reach the plug end and draw it backwards to form the knot



Materials:

Expandet Light Rosett is made of Nylon (PA6). Withstands temperatures from -40°C to +80°C.

Advantages:

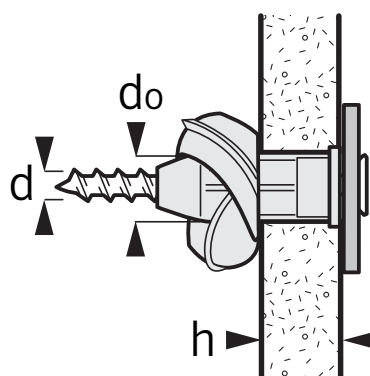
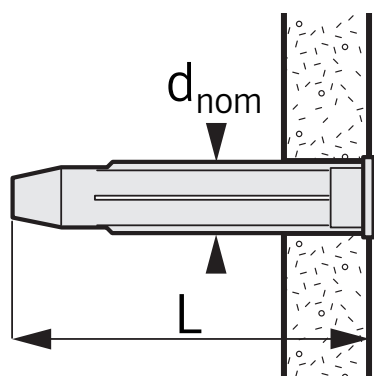
Designed for lightweight fixing in plasterboards.
Easy fixing - no special tool required.
Works with the same degree of safety in insulated cavities.
Does not damage the plasterboard.
Recommended by leading plasterboard manufactures.

Further information:

See overleaf



LIGHT ROSETT



Type	Dimensions		Fixing				Load Capacities	
	d_{nom}	L	d_o	d	h	Layer	N_{rec}	V_{rec}
Expandet Light Rosett	Outside diameter of anchor mm	Anchor length mm	Drill hole diameter mm	Screw diameter mm	Thickness of board mm		Recommended tension load kN*	Recommended shear load kN*
Red 6x30	6	30	6	3,5-4,5	3- 9	one	0,10	0,15
Red 6x35	6	35	6	3,5-4,5	9-13	one	0,20	0,25
Red 6x50	6	50	6	3,5-4,5	26	two	0,25	0,30
Blue 8x45	8	45	8	5-6	13-18	one	0,20	0,35
Blue 8x55	8	55	8	5-6	26	two	0,30	0,40

* Loads are recommended maximum in plasterboards with 300 mm spacing between each Light Rosett. Safety factor is included (≥ 3). 1 kN \approx 100 kg.

Note: Is the recommended spacing not applied the load-capacity will be reduced.

Important: See Expandet's "Principles for fastening" for general information on fastening as well as information on limited liability. (Can be downloaded at www.expandet.com)

Observe that the cavity must minimum be (highest result of either calculations):

- 1: Screw length less thickness of board and fixture
- 2: Plug length less thickness of board



EXPANDET SCREW ANCHORS A/S
Svendebuen 2-6
P.O. Box 59
DK-3230 Græsted
Denmark

Telephone: +45 70 22 79 79
Telefax: +45 70 22 79 89

Version 06.012

www.expandet.com
expandet@expandet.dk

Graphic: Vedkom/Expandet
©Expandet Screw Anchors A/S, 2006
All rights reserved